

# SEC

## Circular Saw Catalog

Jarvis Products Corporation

33 Anderson Road  
Middletown, CT 06457  
United States of America

[www.jarvisproducts.com](http://www.jarvisproducts.com)

**JARVIS**<sup>®</sup>

The Circular Saw family consists of the following product models:

---

**SEC 180-4**

---

**SEC 180-5**

---

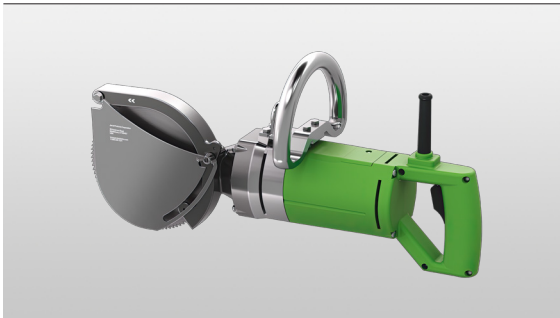
**SEC 230-5**

---

**SEC 280-5**

---

**SEC 400**

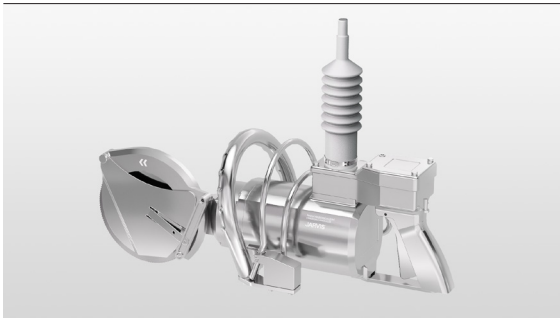


Species: Beef, Pork, Sheep

Balancer: Required

Trigger: Single

Blade Dia: 180mm

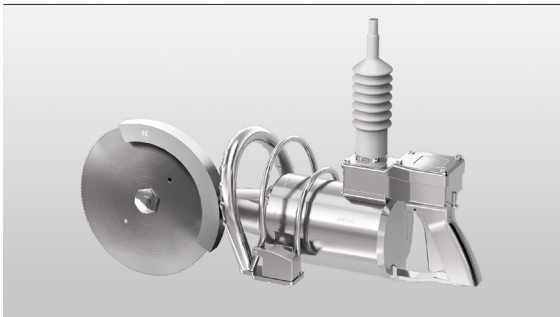


Species: Beef, Pork, Sheep

Balancer: Required

Trigger: Single or Double

Blade Dia: 180mm

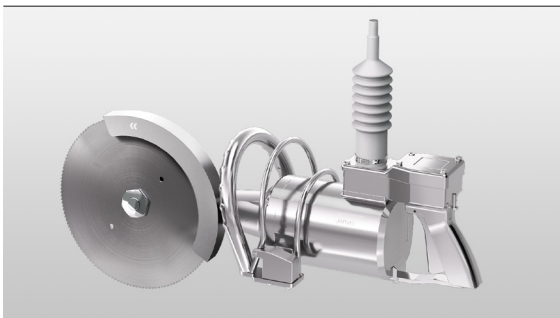


Species: Beef, Pork, Sheep

Balancer: Required

Trigger: Single or Double

Blade Dia: 230mm

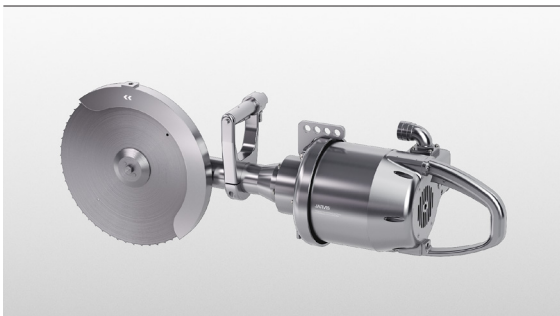


Species: Beef, Pork, Sheep

Balancer: Required

Trigger: Single or Double

Blade Dia: 280mm



Species: Hog

Balancer: Required

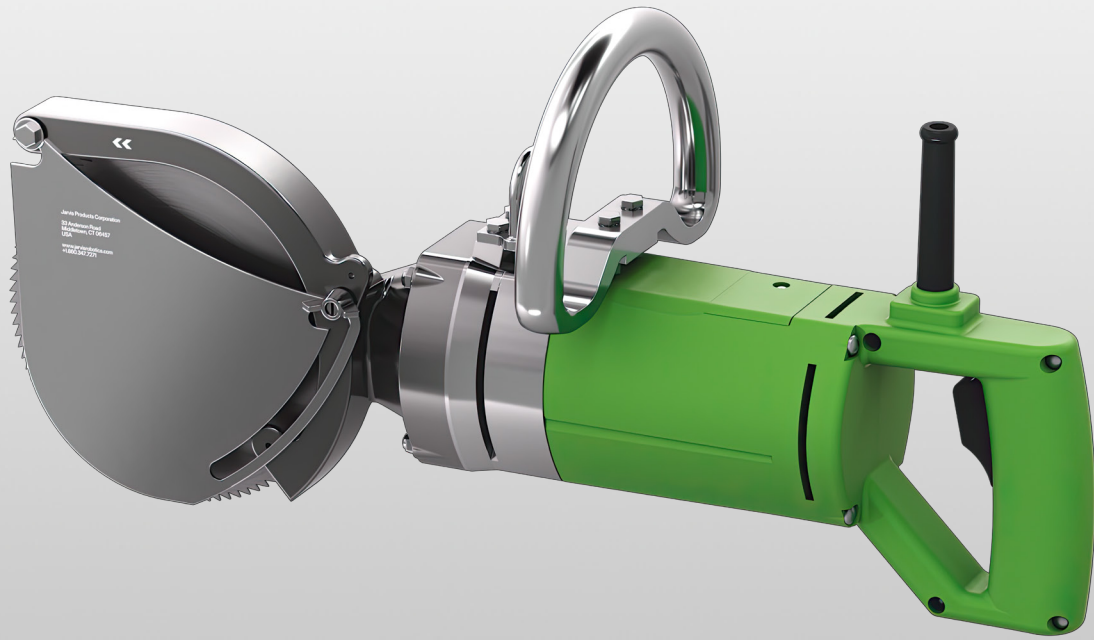
Trigger: Single or Double

Blade Dia: 406mm, 457mm, 533mm

# SEC 180-4

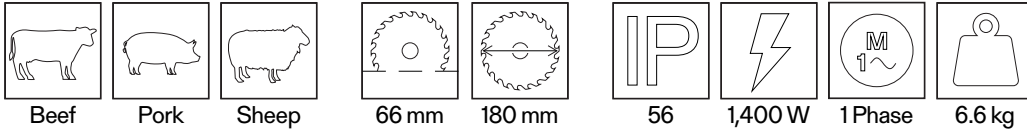


Our lightest, most adaptable  
fabrication circular saw.



# SEC 180-4

Our lightest, most adaptable fabrication circular saw. With a 1.9 hp motor and a cutting depth of 66 mm, this model is suitable for the rail or table when pork ribbing, ham marking, shoulder marking, and removing contaminated back bones.

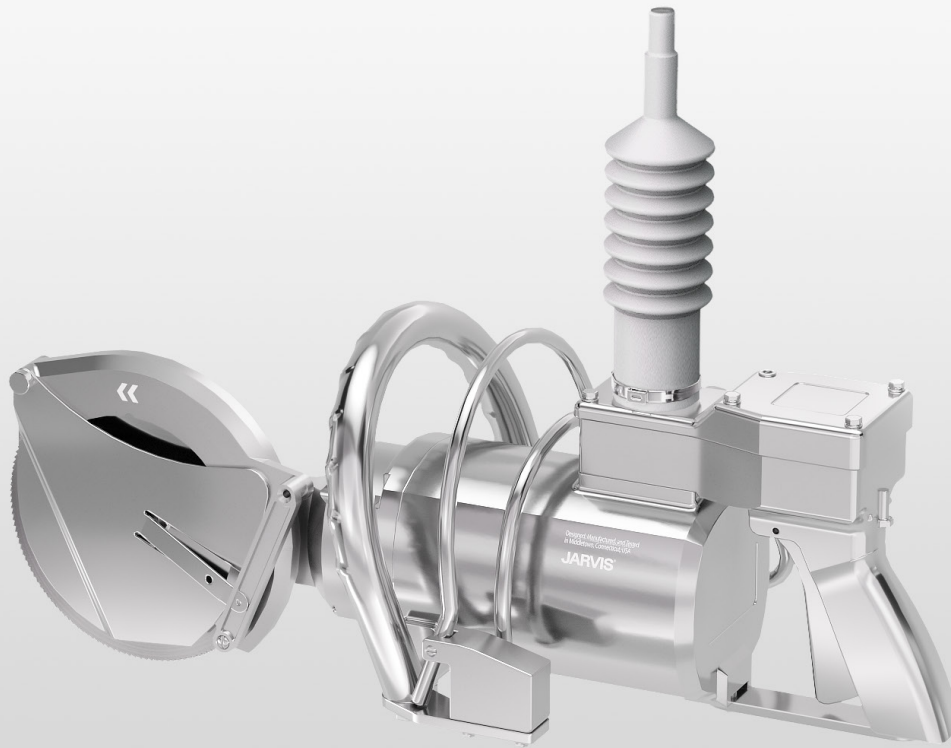


Specifications			
Motor Power		1,400 W	1.9 hp
Blade Diameter		180 mm	7.1 in
Maximum Cutting Depth		66 mm	2.6 in
Overall Length		546 mm	21.5 in
Weight		6.6 kg	14.6 lbs
Operating Voltages		230 / 115 V, 1 phase, 50 / 60 Hz	
Control Handle		Electric Single Trigger / Dual Handles	
Brake			Mechanical
IP Rating (debris / liquid protection)			56
Vibration (front and rear handles)	Rear:	0.8 m/sec <sup>2</sup>	118.0 dB
	Front:	2.95 m/sec <sup>2</sup>	129.4 dB
Noise (one meter from tool)			96 dB
Blade Speed			1,650 rpm

# SEC 180-5

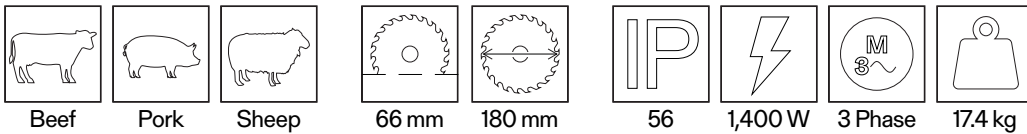


Ultra-fast breaking with more durability.



# SEC 180-5

The all-new SEC 180-5, our newest generation of SEC saws. An IP56 rating, quieter operation, and minimal vibration makes this one of our most durable electric circular saws. With an adjustable 2.6 inch (66 mm) depth of cut, it's perfect for ribbing, quartering, and fabricating.



Specifications		
Motor Power	1,400 W	1.9 hp
Blade Diameter	180 mm	7.1 in
Maximum Cutting Depth	66 mm	2.6 in
Overall Length	559 mm	22 in
Weight	Dual Trigger: 17.4 kg	38.4 lbs
Operating Voltages	41V, 115V, 220-230V, 380-415V, 50 Hz 208V, 230V, 380-415V, 460V, 60 Hz	
Control Handle	Electric Dual Anti-Tie Down or One Trigger	
Brake	Mechanical	
IP Rating (debris / liquid protection)	56	
Vibration	Less than (<) 0.25 m/sec <sup>2</sup>	< 108 dB
Noise (one meter from tool)	76 dB	
Blade Speed	1,375 rpm	

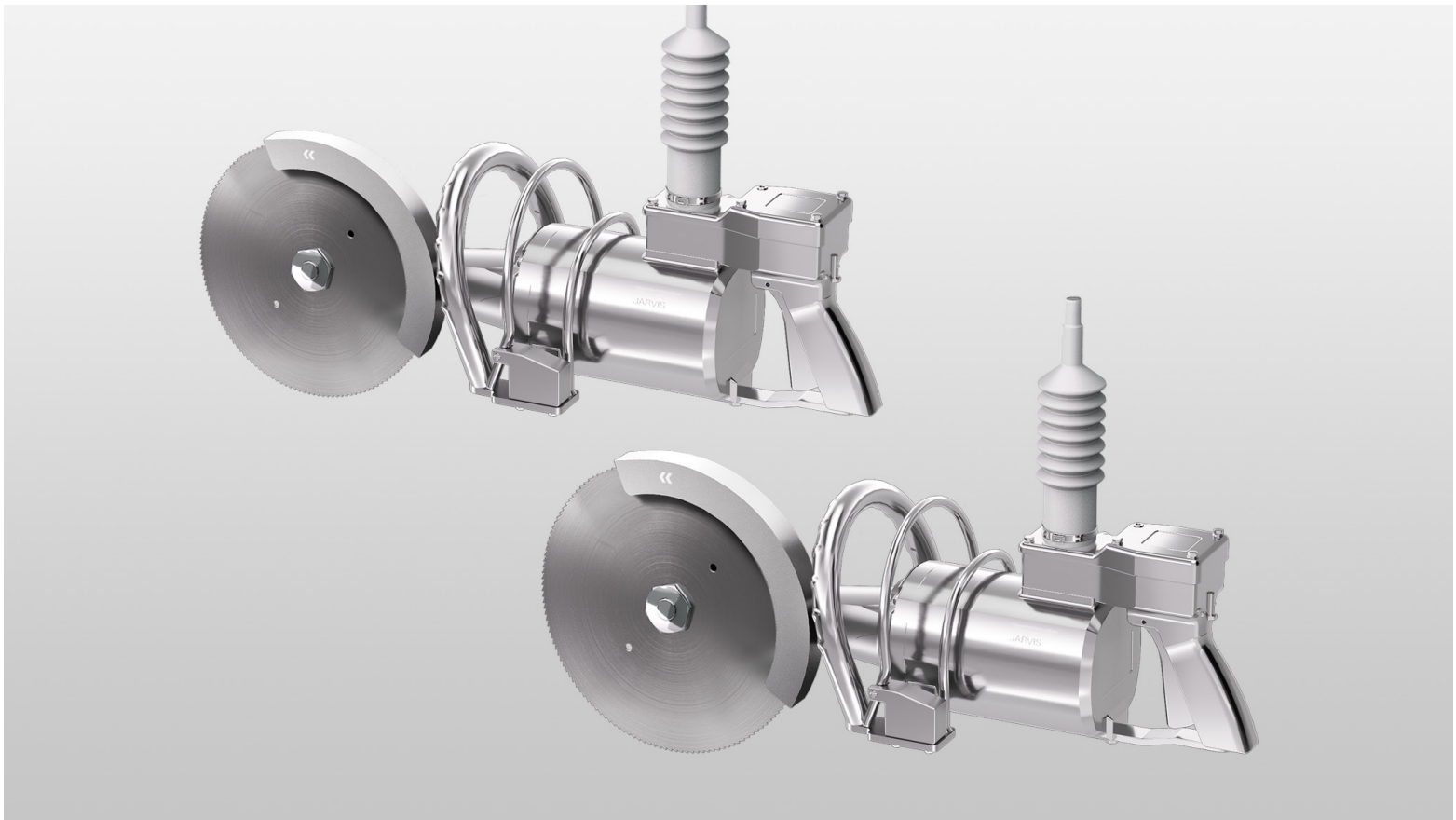
# SEC 230-5

# SEC 280-5

The standard when performance  
and reliability matter most.

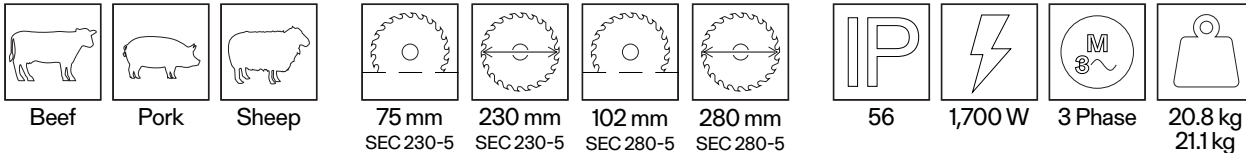






## SEC 230-5 / SEC 280-5

The new SEC 230/280-5 models offer greater horsepower, two blade options, and a maximum cutting depth of 102 mm. Its IP56-rated design is complemented with a 2.25 hp motor, dual trigger option, optional depth gauge, and an ergonomic handle arrangement to reduce worker fatigue. The -5 model use 25% less parts than its predecessor, making it even easier to clean and maintain. Used for cutting chucks, shoulders, forequarters, ribs, hindquarters, chine bones, briskets, and loins of beef.



### Specifications

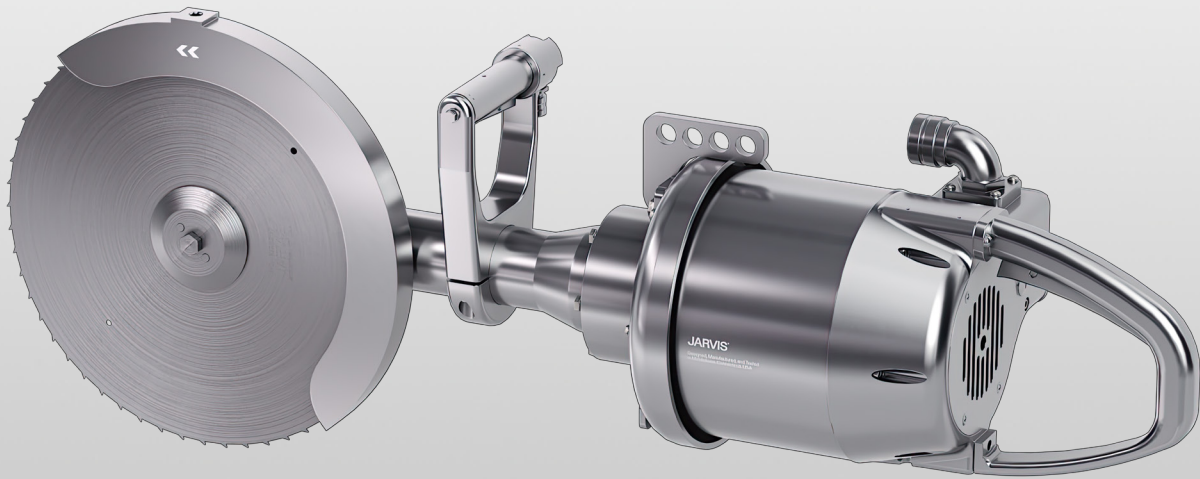
Motor Power	1,700 W	2.25 hp
Blade Diameter	SEC 230-5: 230 mm SEC 280-5: 280 mm	9.1 in 11 in
Maximum Cutting Depth	SEC 230-5: 75 mm SEC 280-5: 102 mm	3 in 4 in
Overall Length	SEC 230-5: 610 mm SEC 280-5: 686 mm	24 in 27 in
Weight	SEC 230-5: 20.8 kg SEC 280-5: 21.1 kg	46 lbs 46.6 lbs
Operating Voltages	42V, 115V, 220-230V, 380-415V, 50 Hz 208V, 230V, 380-415V, 460V, 60 Hz	
Control Handle	Electric Dual Anti-Tie Down	
Brake	Mechanical	
IP Rating (debris / liquid protection)	56	
Blade Speed	1,350 rpm	
Vibration	Less than (<) 0.25 m/sec <sup>2</sup>	
Noise (one meter from tool)	< 108 dB 73 dB	

# SEC 400




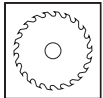
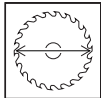




Our largest, most powerful  
production circular saw.

JARVIS  
Circular Sawblades and Tools  
www.jarvisusa.com



# SEC 400

Our heaviest, most powerful production circular saw. A sealed 5 hp electric motor with electric or mechanical brake, optional dual trigger, and range of blade packages are ideal for large throughput facilities when splitting hogs and sows.

						
Hog	130 mm 155 mm 193 mm	406 mm 457 mm 533 mm	56	3,729 W	3 Phase	E: 49.9 kg M: 59 kg





## Specifications

Motor Power	3,729 W	5 hp
Operating Voltages	575, 460, 415, 380, 230, 220, 208, 115, 42V, 3 phases, 50 / 60 Hz	
Blade Speed	1,400 rpm	
Control Handles	Electric Dual Anti-tie Down, 12V	
Brake	Electrical or Mechanical	
Blade Diameter	406 mm	16 in
	457 mm	18 in
	533 mm	21 in
Cutting Depth (max.)	130 mm	5.1 in
	155 mm	6.1 in
	193 mm	7.6 in
Overall Length	940 mm	37 in
Weight	Electronic Brake:	49.9 kg 110 lbs
	Mechanical Brake:	59 kg 130 lbs
Vibration	(<) 120 dB	
Noise (one meter from tool)	Less than (<) 1.0 m/sec <sup>2</sup>	85 dB

# Equipment & Blades





## SEC 180-4

Equipment Selection	Voltage		Part Number
SEC 180-4	115 V	Adjustable Depth Gauge	4004354
	115 V	Indexing Depth Gauge	4004357
	230 V	Adjustable Depth Gauge	4004355
	230 V	Indexing Depth Gauge	4004358
Tool Kit			8039382
Optional Torque Wrench			8039381
Balancer			4042225

Blade Options		Part Number
	180 mm/7.09 in Diameter	1023272
	0.040 in thick Stainless Steel	
	Tip to root configuration with 98 Teeth	
	Type 'B' Arbor Hub	
	Suitable for Fine Cut	
	180 mm/7.09 in Diameter	1023332
	0.040 in thick Stainless Steel	
	Skip Tooth Configuration with 48 Teeth	
	Type 'B' Arbor Hub	
	Suitable for Coarse Cut	
	180 mm/7.09 in Diameter	1023045
	0.040 in thick Stainless Steel	
	Skip tooth configuration with 72 Teeth	
	Type 'B' Arbor Hub	
	Suitable for Regular Cut	
	180 mm/7.09 in Diameter	1023817
	0.040 in thick Stainless Steel	
	Random Tooth-Low Noise Configuration with 55 Teeth	
	Type 'B' Arbor Hub	

# SEC 180-5

Equipment Selection	Voltage		Model Number	Part Number
SEC 180-5	42 V, 50 Hz	Two Triggers	SEC-180-5-42-50-2	4004428
	115 V, 50 Hz	Two Triggers	SEC-180-5-115-50-2	4004430
	220-230 V, 50 Hz	Two Triggers	SEC-180-5-230-50-2	4004466
	380-415 V, 50 Hz	Two Triggers	SEC-180-5-400-50-2	4004432
	208 V, 60 Hz	Two Triggers	SEC-180-5-208-60-2	4004468
	220-230 V, 60 Hz	Two Triggers	SEC-180-5-230-60-2	4004470
	380-415 V, 60 Hz	Two Triggers	SEC-180-5-400-60-2	4004472
	460 V, 60 Hz	Two Triggers	SEC-180-5-460-60-2	4004474
Control Box	42 V, 50 / 60 Hz			3063838
	115 V, 50 / 60 Hz			3063839
	208 V - 240 V, 50 / 60 Hz			3063840
	380 V - 480 V, 50 / 60 Hz			3063841
Balancer				4042271

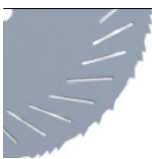

Blade Options		Part Number
	180 mm/7.09 in Diameter	1023272
	0.040 in thick Stainless Steel	
	Tip to root configuration with 98 Teeth	
	Type 'B' Arbor Hub	
	Suitable for Fine Cut	
	180 mm/7.09 in Diameter	1023332
	0.040 in thick Stainless Steel	
	Skip Tooth Configuration with 48 Teeth	
	Type 'B' Arbor Hub	
	Suitable for Coarse Cut	
	180 mm/7.09 in Diameter	1023045
	0.040 in thick Stainless Steel	
	Skip tooth configuration with 72 Teeth	
	Type 'B' Arbor Hub	
	Suitable for Regular Cut	
	180 mm/7.09 in Diameter	1023817
	0.040 in thick Stainless Steel	
	Random Tooth-Low Noise Configuration with 55 Teeth	
	Type 'B' Arbor Hub	

# SEC 230-5 & SEC 280-5

Equipment Selection	Voltage		Model Number	Part Number	
SEC 230-5	42 V, 50 Hz	Two Triggers	SEC-230-5-42-50-2	4004409	
		Two Triggers with Depth Gauge	SEC-230-5-42-50-2-SPL	4004437	
	115 V, 50 Hz	Two Triggers	SEC-230-5-115-50-2	4004411	
		Two Triggers with Depth Gauge	SEC-230-5-115-50-2-SPL	4004412	
	220-230 V, 50 Hz	Two Triggers	SEC-230-5-230-50-2	4004423	
		Two Triggers with Depth Gauge	SEC-230-5-230-50-2-SPL	4004440	
	380-415 V, 50 Hz	Two Triggers	SEC-230-5-400-50-2	4004413	
		Two Triggers with Depth Gauge	SEC-230-5-400-50-2-SPL	4004414	
	208 V, 60 Hz	Two Triggers	SEC-230-5-208-60-2	4004426	
		Two Triggers with Depth Gauge	SEC-230-5-208-60-2-SPL	4004436	
	220-230 V, 60 Hz	Two Triggers	SEC-230-5-230-60-2	4004403	
		Two Triggers with Depth Gauge	SEC-230-5-230-60-2-SPL	4004463	
	380-415 V, 60 Hz	Two Triggers	SEC-230-5-400-60-2	4004405	
		Two Triggers with Depth Gauge	SEC-230-5-400-60-2-SPL	4004465	
	460 V, 60 Hz	Two Triggers	SEC-230-5-460-60-2	4004407	
		Two Triggers with Depth Gauge	SEC-230-5-460-60-2-SPL	4004451	
	SEC 280-5	42 V, 50 / 60 Hz	Two Triggers	SEC-280-5-42-50-2	4004400
		115 V, 50 / 60 Hz	Two Triggers	SEC-280-5-115-50-2	4004401
208 V - 240 V, 50 / 60 Hz		Two Triggers	SEC-280-5-230-50-2	4004424	
380 V - 480 V, 50 / 60 Hz		Two Triggers	SEC-280-5-400-50-2	4004402	
208 V, 60 Hz		Two Triggers	SEC-280-5-208-60-2	4004449	
220-230 V, 60 Hz		Two Triggers	SEC-280-5-230-60-2	4004453	
380-415 V, 60 Hz		Two Triggers	SEC-280-5-400-60-2	4004455	
460 V, 60 Hz		Two Triggers	SEC-280-5-460-60-2	4004457	
Control Box	380-460 V, 50 / 60 Hz			3063824	
	42 V, 50 / 60 Hz			3063825	
	115 V, 50 / 60 Hz			3063099	
	208-240 V, 50 / 60 Hz			3063826	
Balancer				4042322	


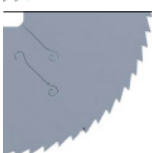
**Blade Options for SEC 230-5**

Part Number

	230 mm/09.00 in Diameter 0.050 in thick Stainless Steel Tip to root configuration with 130 Teeth Type 'D' Arbor Hub Suitable for Fine Cut	1023286
	230 mm/09.00 in Diameter 0.063 in thick Stainless Steel Random Tooth Configuration with 61 Teeth Type 'D' Arbor Hub Suitable for Coarse Cut	1023299
	230 mm/09.00 in Diameter 0.050 in thick Stainless Steel Skip tooth configuration with 72 Teeth Type 'D' Arbor Hub Suitable for Regular Cut	1023387
	230 mm/09.00 in Diameter 0.050 in thick Stainless Steel Tip to root-Low Noise configuration with 60 Teeth Type 'D' Arbor Hub	1023348

**Blade Options for SEC 280-5**

Part Number

	280 mm/11.00 in Diameter 0.060 in thick Hard Chrome Plated Steel Tip to root configuration with 150 Teeth Type 'D' Arbor Hub Suitable for Fine Cut	1023288
	280 mm/11.00 in Diameter 0.050 in thick Hard Chrome Plated Steel Tip to root configuration with 72 Teeth Type 'D' Arbor Hub Suitable for Regular Cut	1023393
	280 mm/11.00 in Diameter 0.050 in thick Hard Chrome Plated Steel Skip tooth configuration with 78 Teeth Type 'D' Arbor Hub Suitable for Coarse Cut	1023388
	280 mm/11.00 in Diameter 0.075 in thick Hard Chrome Plated Steel Random Tooth-Low Noise Configuration with 128 Teeth Type 'D' Arbor Hub	1023295


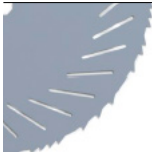

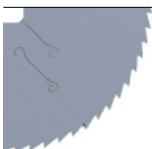
# SEC 400

Equipment Selection	Voltage		Part Number	
SEC 400 without Controller	42 V / 50 Hz	21 inch Blade	4004077	
	230 V / 60 Hz	16 inch Blade	4004076	
	460 V / 60 Hz	16 inch Blade	4004086	
SEC 400 with Mechanical Brake	42 V / 50 Hz	16 Inch Blade	4004226	
		21 inch Blade	4004113	
	115 V / 50 Hz	16 inch Blade	4004114	
		21 inch Blade	4004097	
	230 V / 60 Hz	16 inch Blade	4004101	
		18 inch Blade	4004098	
	380 V / 50 Hz	16 inch Blade	4004110	
	415 V / 50 Hz	16 inch Blade	4004105	
		18 inch Blade	4004129	
	460 V / 60 Hz	16 inch Blade	4004100	
16 inch Blade (thin)		4004132		
	18 inch Blade	4004095		
SEC 400 with Thin Head & Electric / DC Brake	230 V / 60 Hz	16 inch Blade	4004135	
SEC 400 with Thin Head & Mechanical Brake	460 V / 60 Hz	16 inch Blade	4004132	
SEC 400 with Electric / DC Braking (3 Phase)	42 V / 50 Hz	16 inch Blade	4004063	
		18 inch Blade	4004087	
	115 V / 50 Hz	16 inch Blade	4004052	
		21 inch Blade	4004083	
	200 V / 60 Hz	18 inch Blade	4004102	
	208 V / 60 Hz	18 inch Blade	4004065	
	220 V / 50 Hz	16 inch Blade	4004062	
	230 V / 60 Hz	16 inch Blade	4004051	
		18 inch Blade	4004054	
	380 V / 50 Hz	16 inch Blade	4004060	
	380 V / 60 Hz	16 inch Blade	4004061	
	415 V / 50 Hz	16 inch Blade	4004064	
		18 inch Blade	4004112	
	460 V / 60 Hz	16 inch Blade	4004056	
		18 inch Blade	4004055	
	575 V / 60 Hz	16 inch Blade	4004028	
		18 inch Blade	4004084	
	Control Box	42 V / 50 Hz	Mechanical Brake	3063196
			Three Phase D.C. Brake	3063063
		115 V / 50 Hz	Mechanical Brake	3063161
Three Phase D.C. Brake			3063176	
200 V / 50 Hz		Three Phase D.C. Brake	3063168	
208 V / 60 Hz		Three Phase D.C. Brake	3063175	
220 V / 50 Hz		Three Phase D.C. Brake	3063164	
230 V / 60 Hz		Mechanical Brake	3063162	
		Three Phase D.C. Brake	3063164	
380 V / 50 Hz		Mechanical Brake	3063197	
		Three Phase D.C. Brake	3063174	
380 V / 60 Hz		Three Phase D.C. Brake	3063174	
415 V / 50 Hz		Mechanical Brake	3063180	
		Three Phase D.C. Brake	3063173	
460 V / 60 Hz		Mechanical Brake	3063147	
		Three Phase D.C. Brake	3063151	
575 V / 60 Hz		Three Phase D.C. Brake	3063172	
Control Box Start Number		230 V / 60 Hz	Mechanical Brake	3063564
			Three Phase D.C. Brake	3063563
		460 V / 60 Hz	Mechanical Brake	3063586
	Three Phase D.C. Brake		3063585	
Balancer			4042274	



**Blade Options**

Part Number

	406 mm/16.00 in Diameter 0.075 in thick Hard Chrome Plated Steel Skip tooth configuration with 56 Teeth Type 'F' Arbor Hub Suitable for Coarse Cut	1023297
	457 mm/18.00 in Diameter 0.10 in thick Hard Chrome Plated Steel Skip tooth configuration with 64 Teeth Type 'F' Arbor Hub Suitable for Coarse Cut	1023284
	533 mm/21.00 in Diameter 0.10 in thick Hard Chrome Plated Steel Skip tooth configuration with 76 Teeth Type 'F' Arbor Hub Suitable for Coarse Cut	1023290
	457 mm/18.00 in Diameter 0.10 in thick Hard Chrome Plated Steel Skip tooth configuration with 64 Teeth Type 'F' Arbor Hub	1023793

---

# Our Vision

Provide the planet access to healthy and sustainable protein

---

# Our Mission

Achieve our full business potential for the product, planet, and people

---

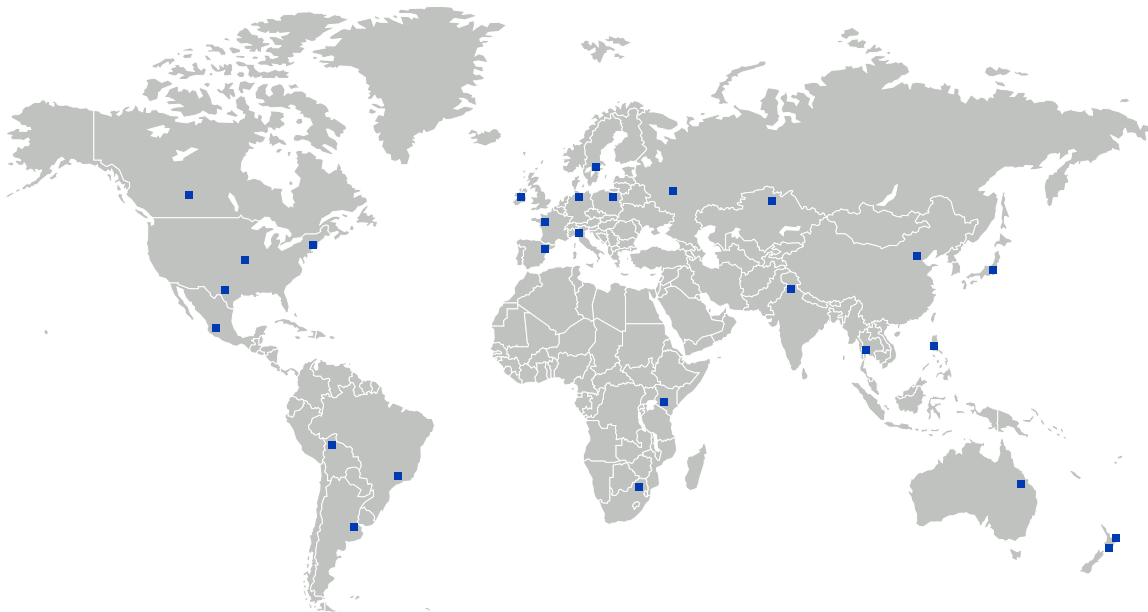
# Our Foundation

Take care of our customers, take care of each other, and do the right thing

---

# Our Values

Customer Orientation, Passion for Perfection, Common Sense & Initiative, Urgency, Integrity & Honesty, Compassion, Toughness, Innovative Engineering, Conservation, Small Company Agility, Communication, Grace



Reimagination: to imagine again or anew, especially to form a new conception of Jarvis Products.

# Jarvis Global Offices

North America	Jarvis Products Corporation	United States	33 Anderson Road Middletown, CT 06457	www.jarvisproducts.com sales@jarvisproducts.com 1860 347 7271
	Jarvis Industries Canada	Canada	4650 112th Ave. S.E. Calgary, Alberta T2C 2K2	www.jarviscanada.com sdougherty@jarviscanada.com 1403 236 5350
	Jarvis de Mexico S.A. de C.V.	Mexico	Broca 2605 Interior 26 Colonia Parque Industrial el Alamo Guadalajara, Jalisco C.P. 44490	www.jarvis.com.mx hsandoval@jarvis.co.mx 52 33 3675 8075
South America	Jarvis Argentina SA I C	Argentina	Luis Maria Drago 2685 (B1852LHO) - BURZACO Bueno Aires	www.jarvis.com.ar enriquekelly@jarvis.com.ar 54 11 7700 0101
	Jarvis Do Brasil Ltda.	Brazil	Rua James Clerk Maxwell, 620 Condomínio Techno Park - Bloco A Cep 13069-380 - Campinas, São Paulo	www.jarvis.com.br andre@jarvis.com.br 55 19 3216 4900
Europe	Jarvis Germany GmbH	Germany	Hanomagstraße 35 21244 Buchholz i.d. Nordheide Hamburg	www.jarvisgmbh.de raif.riedel@jarvisgmbh.de 49 4181 9 20 80
	Jarvis France SARL	France	12 Parc d'Activité de l'Ecotay 35410, Nouvoitou	www.jarvisfrance.fr contact@jarvisfrance.fr 33 0 2 99 37 96 83
	Jarvis Italia Srl	Italy	Vit Italo e Dante Pinfari, 8C, 46029 Suzzara, Mantua	www.jarvisitalia.it fabrizio@jarvisitalia.it 39 0376 508338
	Jarvis Polska Limited Sp. z.oo.	Poland	St. Dabrowa 39 76-231 Damnica	www.jarvispolska.pl info@jarvispolska.pl 48 59 725 6267
	Jarvis LLC Russia	Russia	141281, Moscow Region Ivanteevka st. Zarechnaya, 1	www.jarvis-russia.ru info@jarvis-russia.ru 7 495 2230383
	Jarvis Skandinavien AB	Sweden	Skruvgatan 7 211 24 Malmö	www.jarvis.se ola@jarvis.se 46 40 16 54 00
	Jarvis España	Spain	Pol. Ind. Polingesa 17457, Girona	www.jarvisespana.es manager@jarvisespana.es 34 675 031 600
	Jarvis Products U.K. Ltd.	United Kingdom	16 Ballycraig Road Antrim, BT 41 1PL Northern Ireland	www.jarvisuk.com andy@jarvisuk.com 44 7471 461409
Africa	Jarvis Republic of South Africa	South Africa	245 Albert Amon Road Meadowdale Ext.7 Germiston, Gauteng R.S.A.	www.jarvissouthafrica.co.za deon@jarvissouthafrica.co.za 27 11 974 6776
	Jarvis Kenya	Kenya	Kilimani, PO Box 76404 Nairobi	www.jarvisproducts.co.ke admin@jarvisproducts.co.ke +2547154 155 118
	Jarvis Zambia & Central Africa	Zambia	Unit 4, Leopards Hill Business Park Leopards Hill Lusaka, Zambia	jarviszambia.co.zm renier@jarviszambia.co.zm 260 96 473 8872
Asia	Jarvis China	China	Caiyuan Industry Zone #11 Nancai Town, Shunyi District Beijing 101300	www.jarvis.cn johnwlong@jarvis.cn 86 10 8947 8257
	Jarvis Equipment Pvt Ltd.	India	Plot 93A, Sector 5 - IMT Manesar Gurgaon, Haryana 122050	www.jarvis.co.in manpreet@jarvis.co.in 91 124 416 4100
	Jarvis Japan Co. Ltd.	Japan	21-6, 5-chome, Ishikawa Fujisawa-shi, Kanagawa-ken 252-0815	www.jarvis.jp joe@jarvis.jp 81 3 3751 6701
	Jarvis Products Eurasia Corp.	Kazakhstan	Nur-Sultan	www.jarvisproducts.kz sales@jarvisproducts.kz 7 747 859 6707
	Jarvis Philippines	Philippines	36 Parada Road Venezuela, 1442 Metro Manila	jarvisph@outlook.com 63 998 5480702
	Jarvis Thailand	Thailand	Bangkok	johnwlong@jarvis.cn 66 81 633 5269
Oceania	Jarvis Australia ANZ Pty	Australia	6 Rosa Place, Richlands Queensland, Australia 4077	www.jarvisanz.com.au kevinr@jarvisanz.com.au 61 7 3375 3444
	Jarvis Engineering Technologies	New Zealand	1/54 Keeling Road Henderson, Auckland 0612	www.jarvisengineering.com allan@jarvisengineering.com 64 9 836 3480
	Jarvis Equipment New Zealand	New Zealand	668 Tremaine Ave Terrace End Palmerston North 4414	www.jarvisnz.com brent@jarvisnz.com 64 06 354 3504

