

HE1 Knife Sharpening System

Compact sharpening system for lighter duty usage sharpening up to 50 knives per day



COZZINIPRIMEEdge
CUTTING EDGES AND SHARPENING SOLUTIONS

HE1 Knife Sharpening System

- For supermarkets, hardware stores and plants that sharpen 50 knives per day or less.
- Affordable, compact tabletop unit that combines honing and edging capabilities.
- Sharpens blades of any length.
- Easy assembly/disassembly and maintenance.
- CE approved.

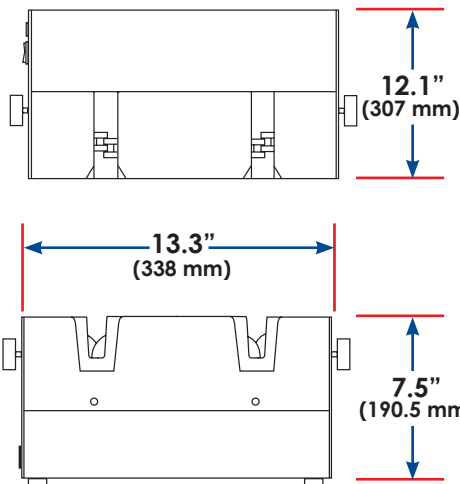
JARVIS

Jarvis ANZ Pty Ltd.
6 Rosa Place
Richlands, QLD 4077

Phone: 617-3375-3444
Fax: 617-3375-3533
E-mail: sales@jarvisanz.com.au
www.jarvisanz.com.au

HE1 Knife Sharpening System

For smaller supermarkets, hardware stores and plants that sharpen 50 knives per day or less, the **PRIME** HE1 Knife Sharpening System is an economical, compact tabletop unit that combines grinding and honing capabilities. The low-maintenance HE1 sharpens knives of any length and ensures consistent cutting edges. Weighing only 29 pounds (13 kg) and measuring 13.3" x 12.1" x 7.5" (338 x 307 x 190.5 mm), the HE1 easily fits your workstation and your budget.



HE1 Knife Sharpening System		
<i>Voltage</i>	<i>Frequency</i>	<i>Service Amps</i>
110 V	60 Hz	7.5 A
220 V	50 Hz	7.5 A

COZZINI PRIMEEdge
CUTTING EDGES AND SHARPENING SOLUTIONS

JARVIS

Jarvis ANZ Pty Ltd.
6 Rosa Place
Richlands, QLD 4077

Phone: 617-3375-3444
Fax: 617-3375-3533
E-mail: sales@jarvisanz.com.au
www.jarvisanz.com.au