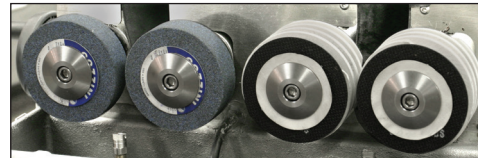


HE2 Knife Sharpening System

The HE2 Knife Sharpening System combines blade thinning and honing/edging operations into a single , compact machine

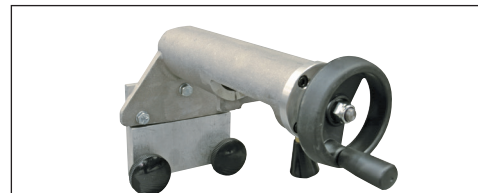


Shown with optional cart



**Grinding
Stones**

**Honing
Stones**



Dresser assembly

COZZINIPRIME**Edge**
CUTTING EDGES AND SHARPENING SOLUTIONS

HE2 Knife Sharpening System

- All-in-one unit with grinding and honing stones.
- Unique spiral-shaped honing/edging stones design ensures consistent, smooth, sharp edges.
- Sharpens blades up to 14" (356 mm) long.
- Recirculating liquid coolant system provides burn-free and dust-free operation.
- Integrated stone dressing system maintains roundness of the stones for perfect, consistent, sharp edges.
- Optional cart available.
- CE approved.

JARVIS

Jarvis ANZ Pty Ltd.
6 Rosa Place
Richlands, QLD 4077

Phone: 617-3375-3444
Fax: 617-3375-3533
E-mail: sales@jarvisanz.com.au
www.jarvisanz.com.au

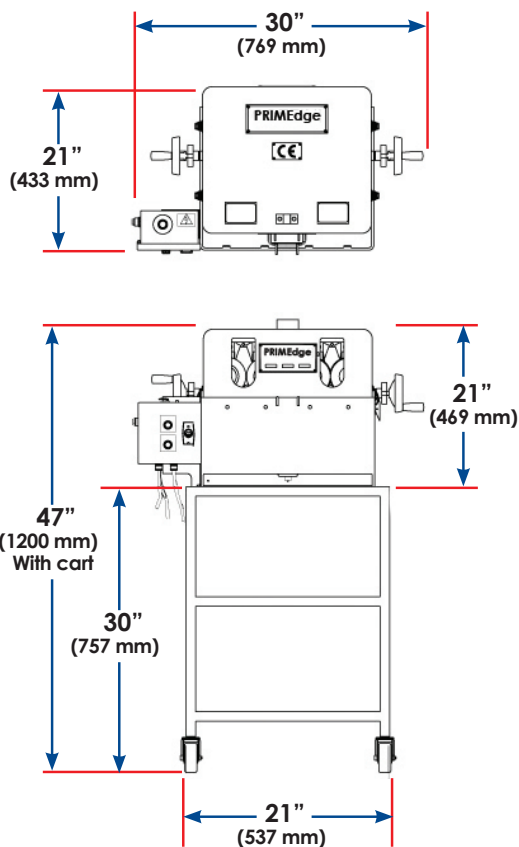
HE2 Knife Sharpening System

Ideal for smaller meat processors, supermarkets, hardware stores and sharpening services, the compact **PRIME**Edge HE2 Knife Sharpening System provides the same benefits as the larger capacity **PRIME**Edge sharpening systems utilizing separate hollow grinding and honing/edging units.

The Ø4" (102 mm) grinding stones of the unit thin both sides of the blade simultaneously. The operator checks the blade thickness with a built-in gauge to determine if it has been sufficiently thinned. After thinning, the honing/edging stones apply a beveled edge on both sides of the blade simultaneously. The blade bevel angle can be adjusted as needed.

The HE2's cast aluminum body is housed under a durable, easy-to-clean, stainless steel cover. Though the HE2 can be used as a tabletop grinder, an optional cart with casters allows for easy portability.

For a precise cutting edge every time, trust the proven HE2 Knife Sharpening System from **PRIME**Edge.



HE2 Knife Sharpening System			
Voltage	Frequency	HP	kW
115V	50 or 60 Hz	1	.75
220V		3/4	.56

COZZINI**PRIME**Edge
CUTTING EDGES AND SHARPENING SOLUTIONS

JARVIS

Jarvis ANZ Pty Ltd.
6 Rosa Place
Richlands, QLD 4077

Phone: 617-3375-3444
Fax: 617-3375-3533
E-mail: sales@jarvisanz.com.au
www.jarvisanz.com.au